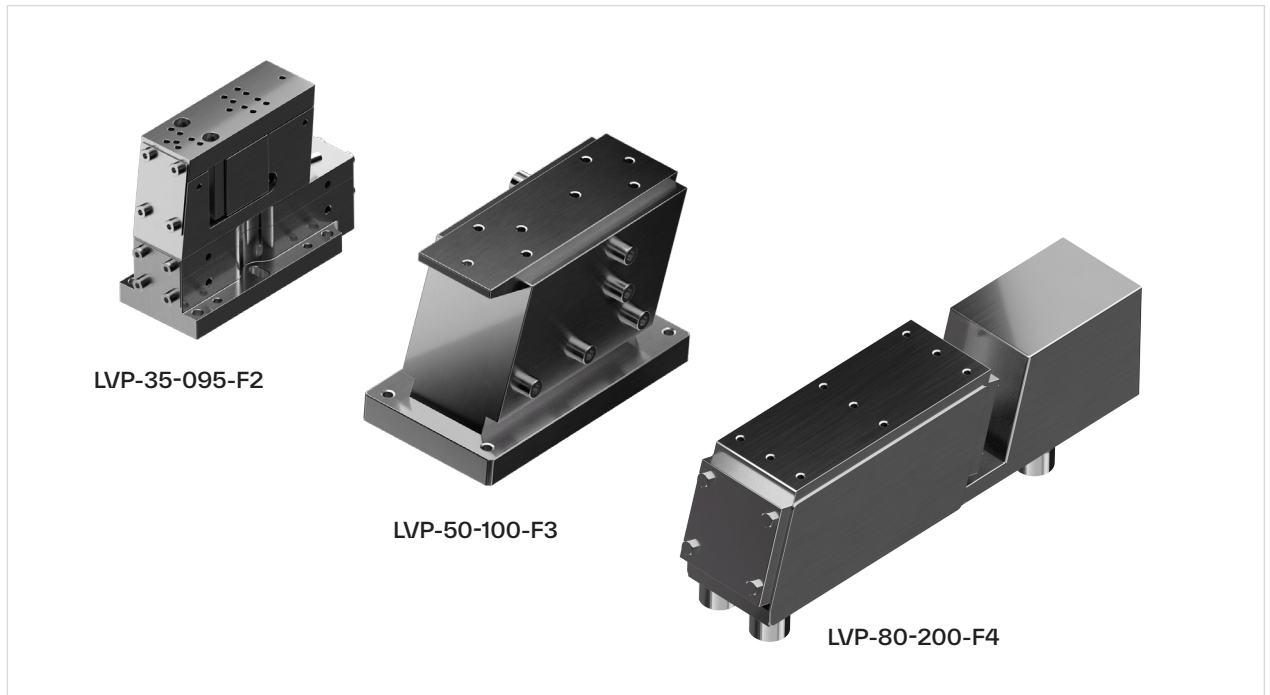


Linear Vibratory Drives - Power Line « LVP »



The advantages of our product:

- Standard design
- Low weight sensitivity
- Powerful and robust vibration drives for larger longitudinal rail
- Cable outlet in different directions (left/right/back)

Key data:

- Overall height: from 95mm to 130mm
- Width of the swing plate: from 34mm to 80mm
- Length of the vibrating plate: from 95mm to 200mm
- Total length: from 130 to 380mm
- Electrical connection: 230V/50Hz
- Special versions: 110V/60Hz available on request

Technical specifications:

Features for standard design	Typ	LVP-F2	LVP-F3		LVP-F4		
	Unit	35-095	50-100	60-140	50-120	65-145	80-200
Weight	Kg	4.3	2.0	4.0	5.0	7.0	9.0
Payload max.	Kg	2.0	1.0	1.2	2.5	5.5	7.5
Current absorbed	A	0.25	1.5	1.5	1.5	1.5	1.5
Vibrating solenoids	Pcs	1	1	1	1	1	1
Spring blades	Pcs	6	6	6	6	8	10
Noise emission	dB	< 70			< 75		
Electr. version (CH+EU)	V / HZ	230V / 50Hz					
Electr. version (US)*	V / HZ	110V / 60Hz					
Temperature ambient	°C	+10 bis +45					
Protection class	IP	40					

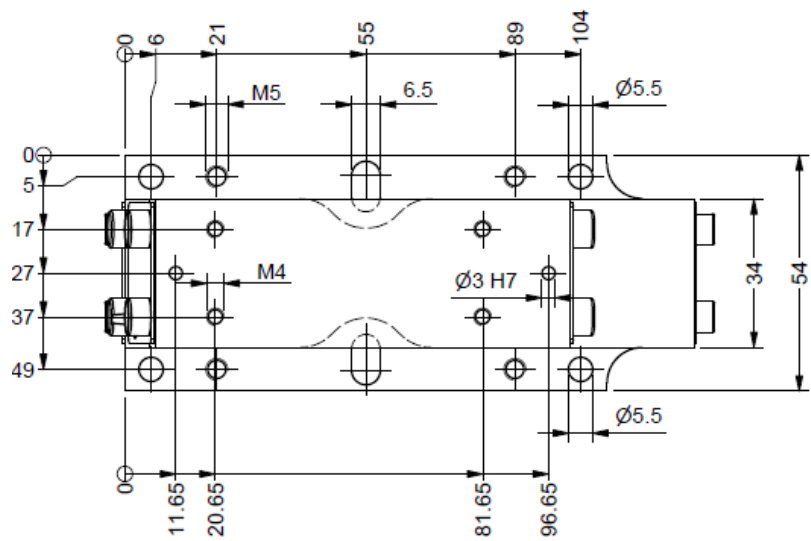
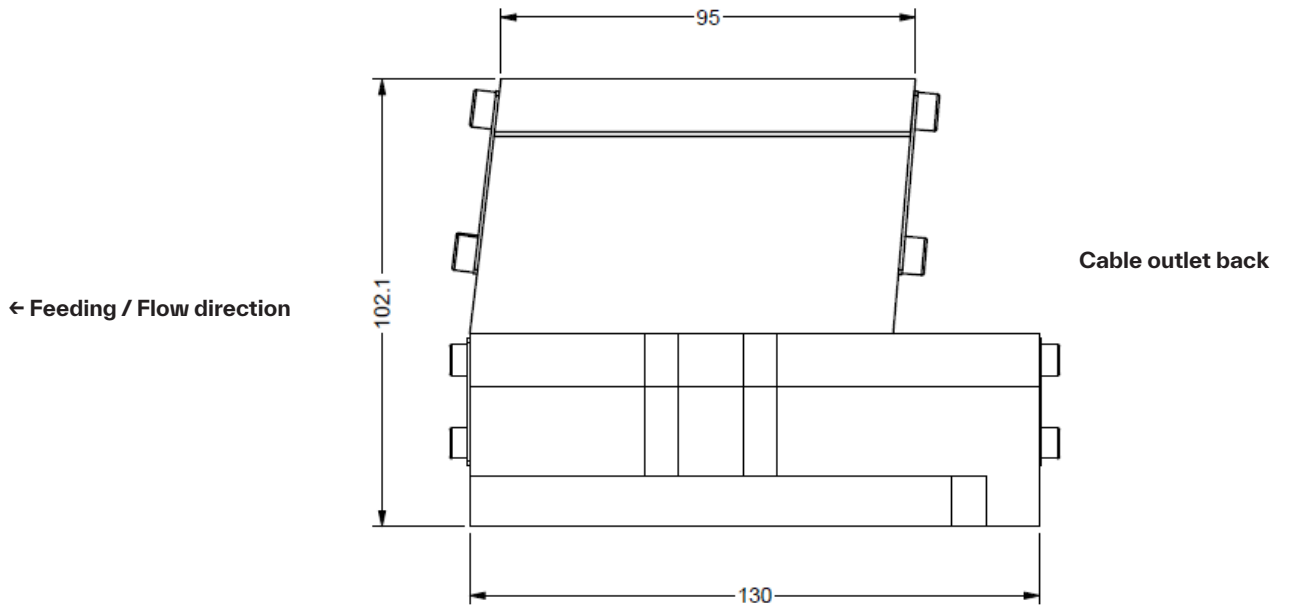
Options and accessories:

- Vibration drive controller
- Stand or base plate
- Level monitoring with light conductor and amplifier
- Functional feeding module with sorting, linear rail, and separation system
- Special electrical version (US), 110V/60Hz*

Article no. ID:

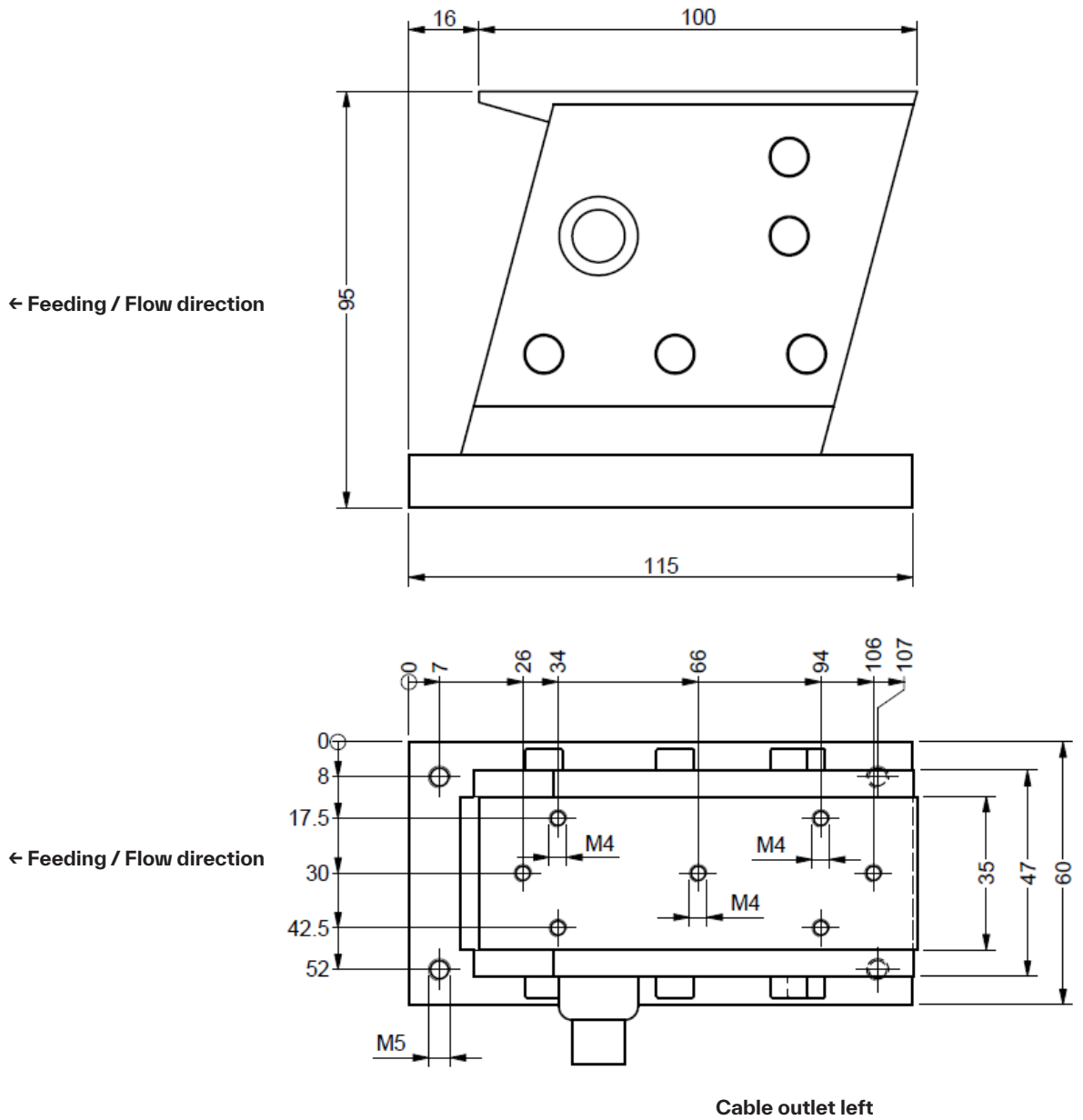
LVP	-	35	-	095	-	F2	L/R/B
							L: Cable outlet left R: Cable outlet right B: Cable outlet back
							Typ: F2 / F3 / F4
							Length: 095 / 100 / 120 / 140 / 145 / 200mm
							Width: 35 / 50 / 60 / 65 / 80mm
LVP: Linear Vibratory Drives – Power line							

Dimensions:
LVP-35-095-F2



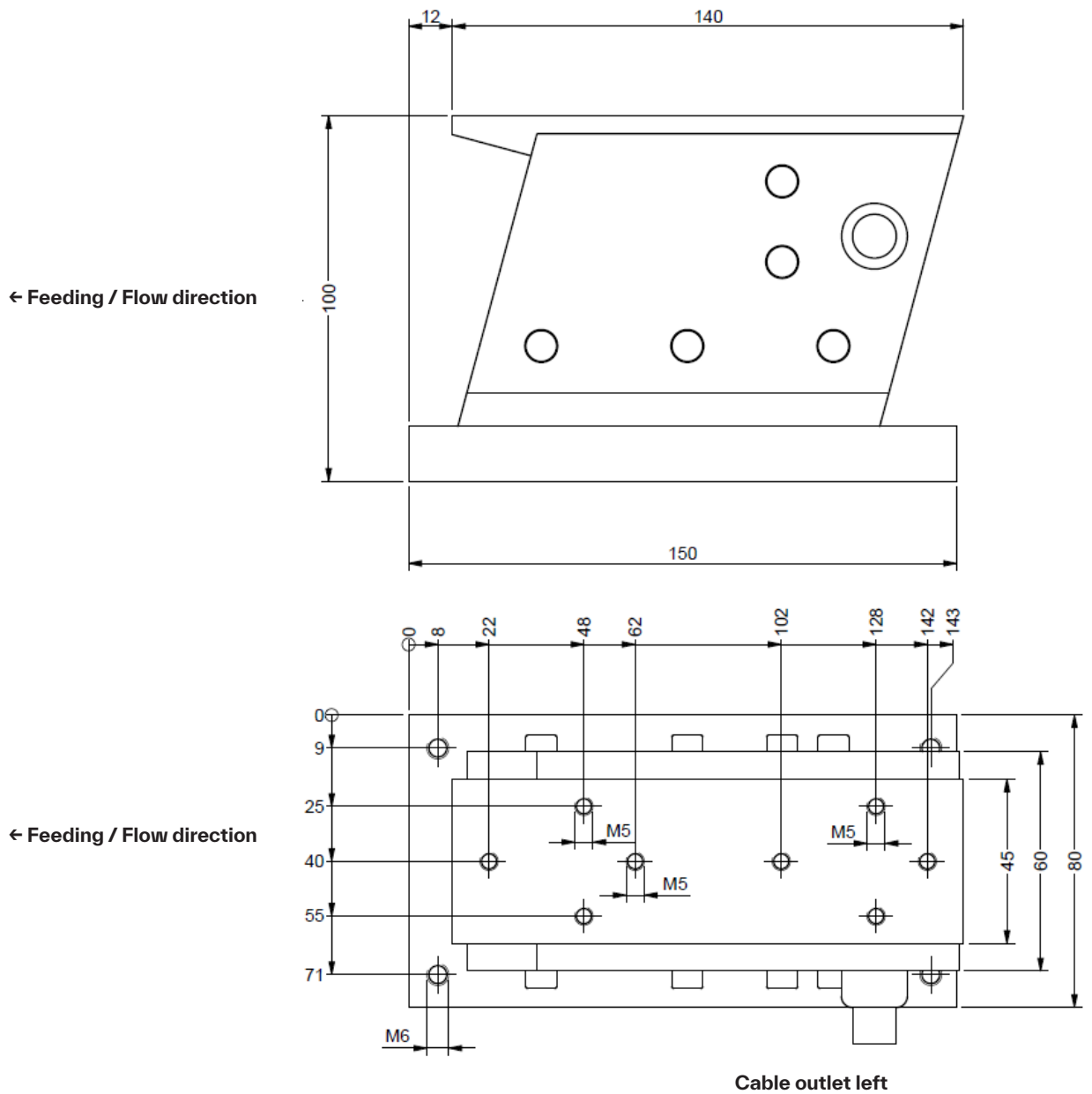
Article no. ID	Cable side ← Viewed in conveying direction	Useful weight for linear rail and cover (incl. parts)
LVP-35-095-F2B	Cable outlet left	Max. 2.0 kg

**Dimensions:
LVP-50-100-F3**



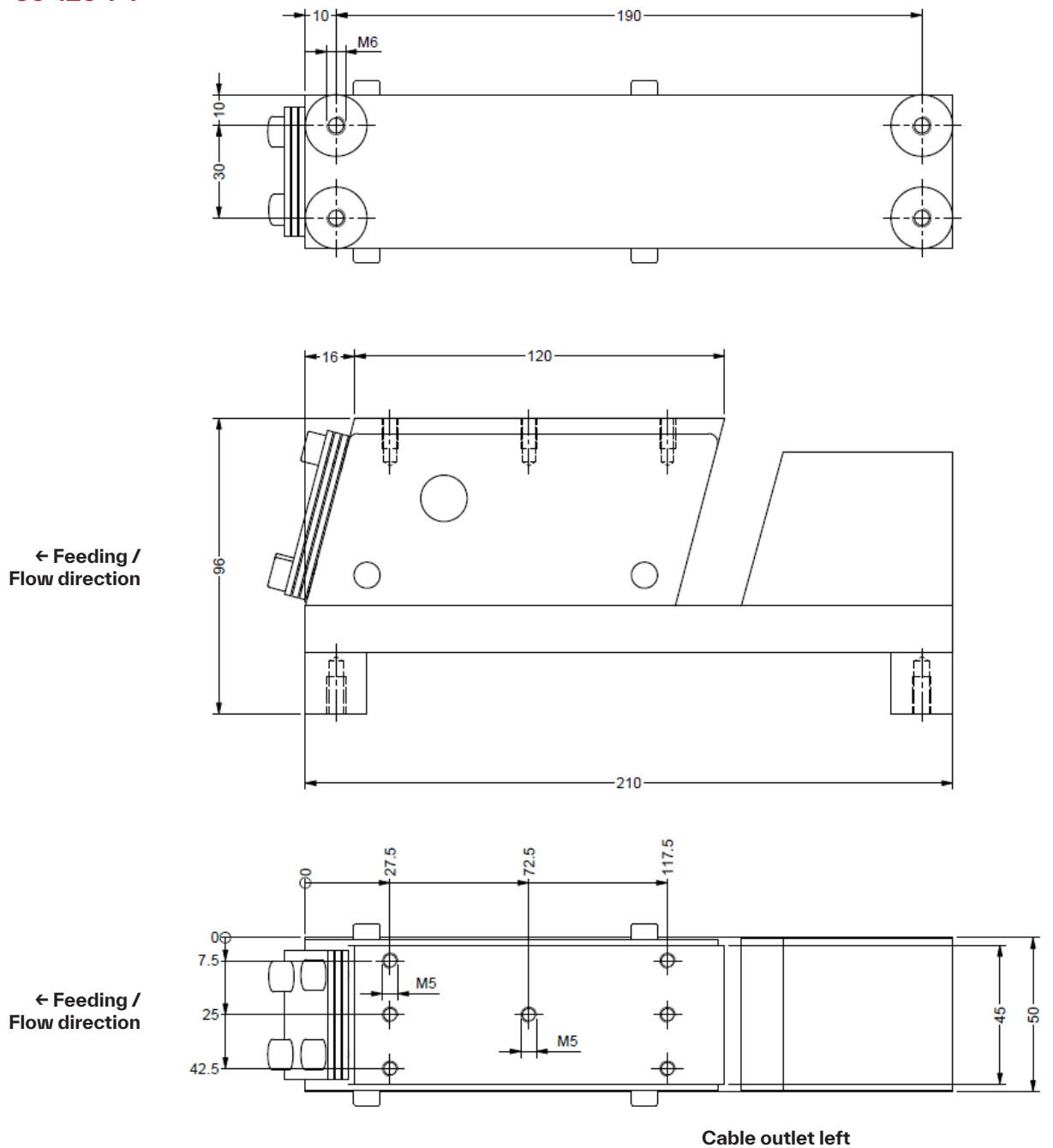
Article no. ID	Cable side ← Viewed in conveying direction	Useful weight for linear rail and cover (incl. parts)
LVP-50-100-F3L	Cable outlet left	Max. 1.0 kg
LVP-50-100-F3R	Cable outlet right	Max. 1.0 kg

**Dimensions:
LVP-60-140-F3**



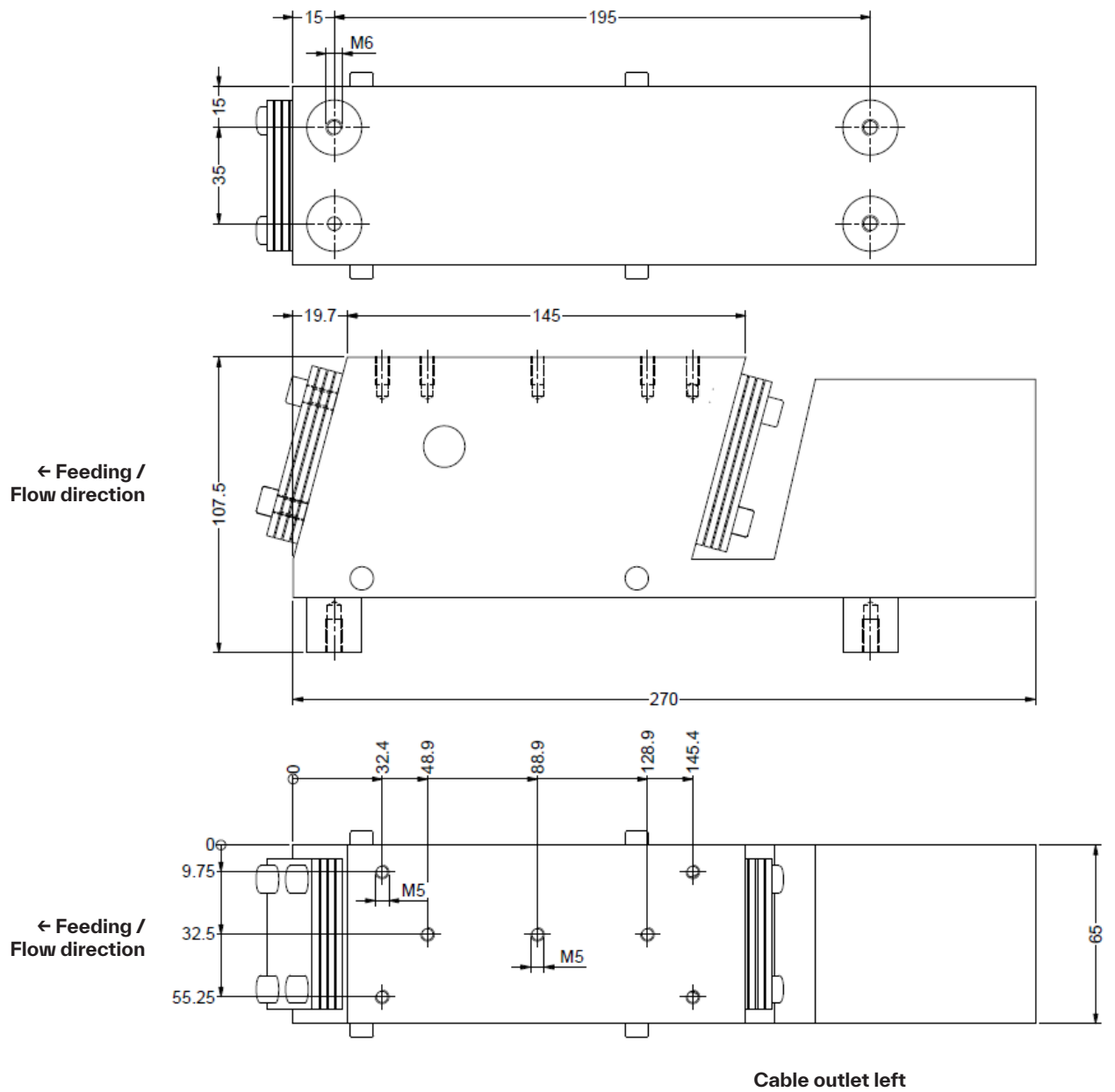
Article no. ID	Cable side ← Viewed in conveying direction	Useful weight for linear rail and cover (incl. parts)
LVP-60-140-F3L	Cable outlet left	Max. 1.2 kg
LVP-60-140-F3R	Cable outlet right	Max. 1.2 kg

**Dimensions:
LVP-50-120-F4**



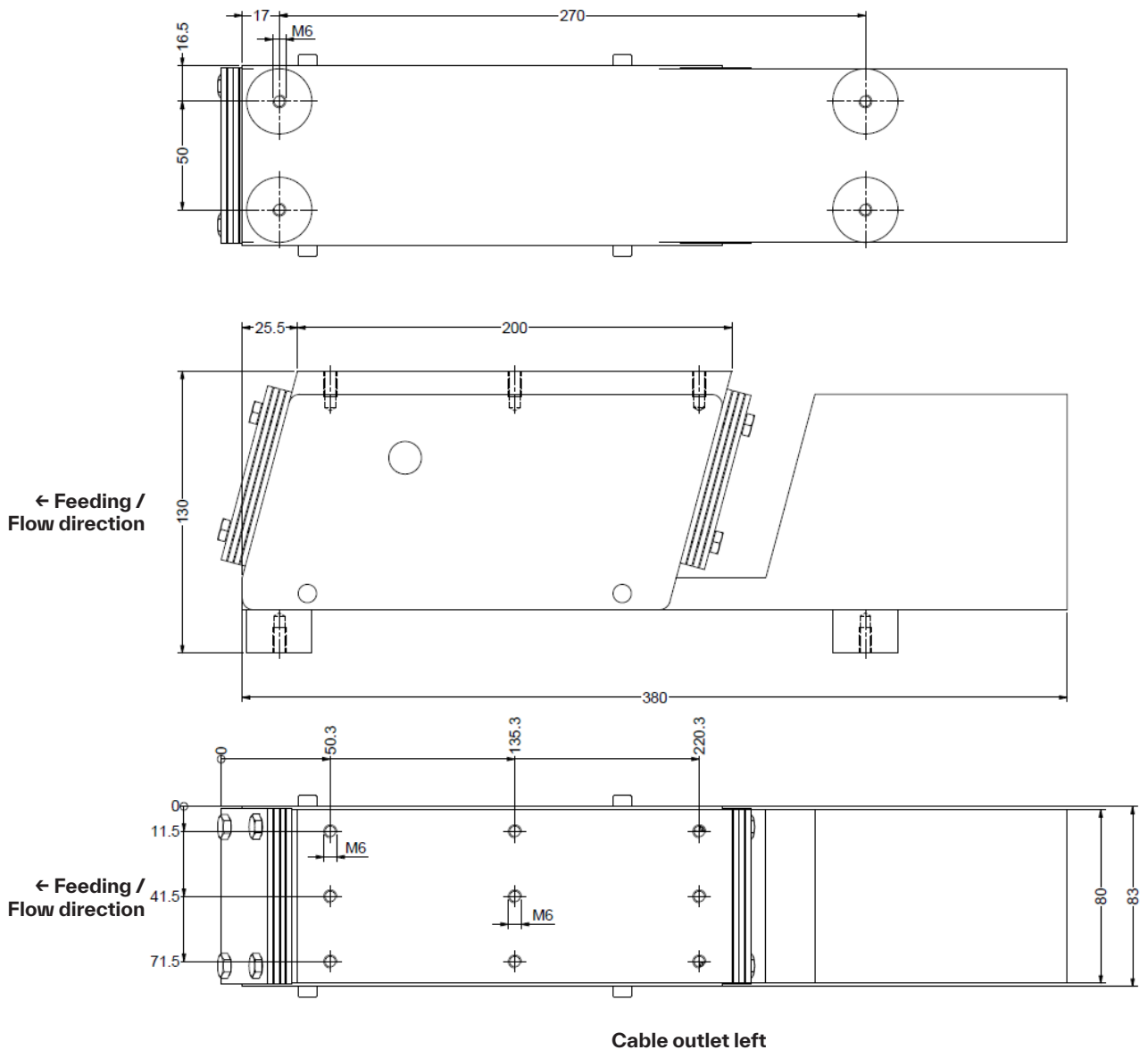
Article no. ID	Cable side ← Viewed in conveying direction	Useful weight for linear rail and cover (incl. parts)
LVP-50-120-F4L	Cable outlet left	Max. 2.5 kg
LVP-50-120-F4R	Cable outlet right	Max. 2.5 kg

**Dimensions:
LVP-65-145-F4**



Article no. ID	Cable side ← Viewed in conveying direction	Useful weight for linear rail and cover (incl. parts)
LVP-65-145-F4L	Cable outlet left	Max. 5.5 kg
LVP-65-145-F4R	Cable outlet right	Max. 5.5 kg

Dimensions:
LVP-80-200-F4



Article no. ID	Cable side ← Viewed in conveying direction	Useful weight for linear rail and cover (incl. parts)
LVP-80-200-F4L	Cable outlet left	Max. 7.5 kg
LVP-80-200-F4R	Cable outlet right	Max. 7.5 kg