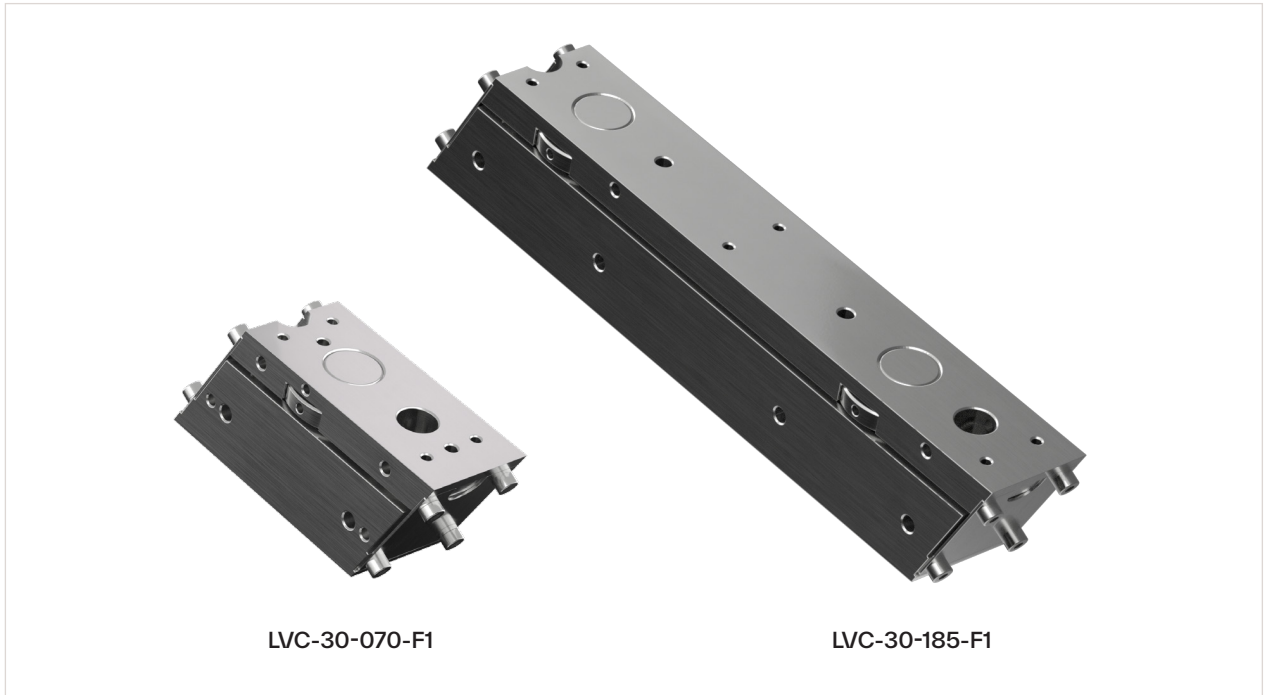


## Linear Vibratory Drives - Compact Line « LVC »



LVC-30-070-F1

LVC-30-185-F1

### The advantages of our product:

- Very compact design
- Exact adjustment of the air gap without disassembly
- Very easy mounting, top and bottom mounting possibilities by screwing
- Cable outlet in different directions (left/right/under)

### Key data:

- Length: 89 or 205mm
- Small height: 39mm
- Very narrow width: 32mm
- Electrical connection: 230V/50Hz
- Special versions 110V/60Hz on request

## Technical specifications:

Features for standard design	Typ	LVC-F1					
	Unit	30-070	30-185				
Weight	Kg	0.60	1.15				
Payload max.	Kg	0.45	0.90				
Current absorbed	A	0.10	0.20				
Vibrating solenoids	Pcs	1	2				
Spring blades	Pcs	2	2				
Noise emission	dB	< 70					
Electr. version (CH+EU)	V / HZ			230V / 50Hz			
Electr. version (US)*	V / HZ			110V / 60Hz			
Temperature ambient	°C			+10 bis +45			
Protection class	IP			40			

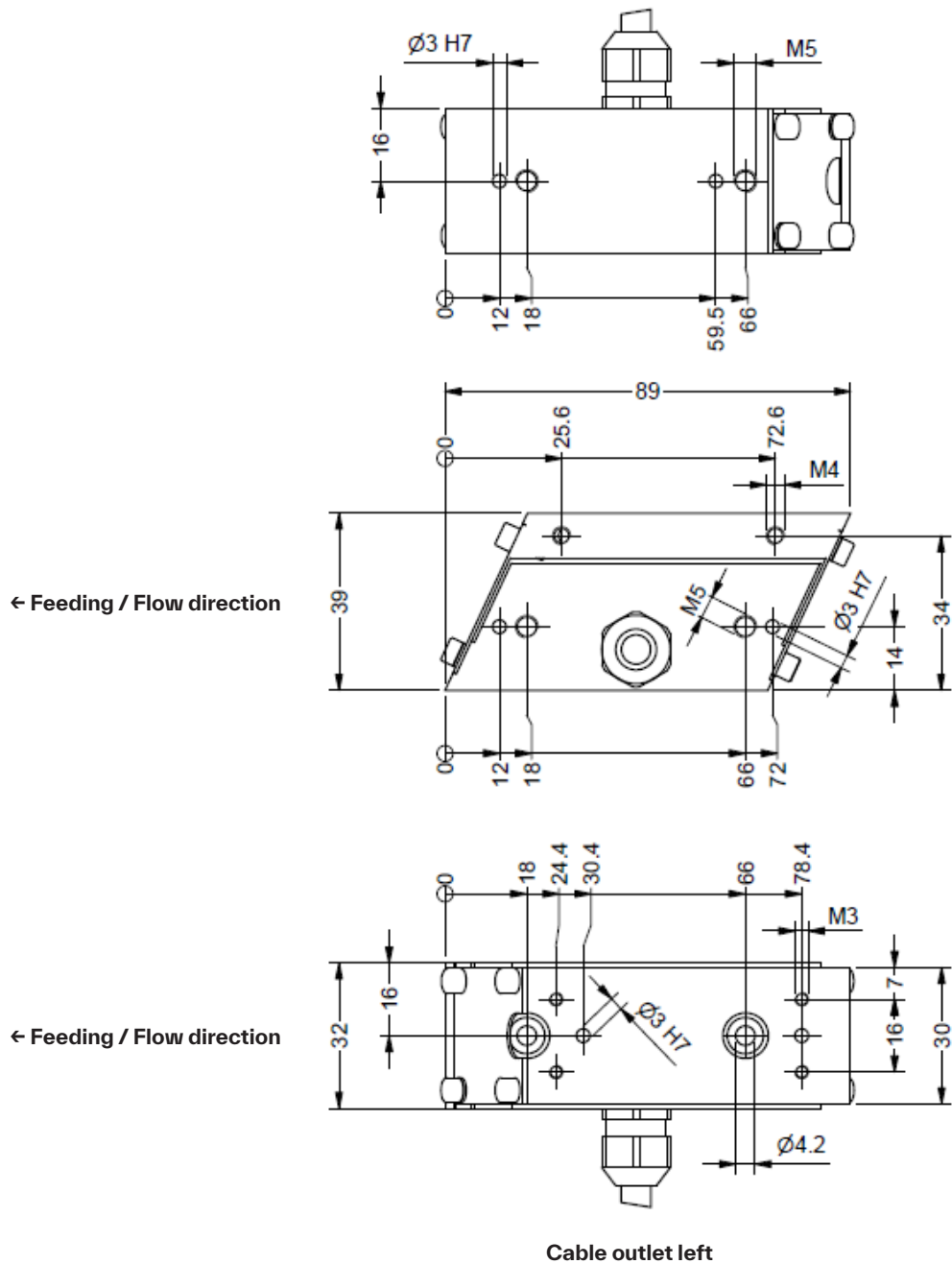
## Options and accessories:

- Vibration drive controller
- Stand or base plate
- Level monitoring with light conductor and amplifier
- Functional feeding module with sorting, linear rail, and separation system
- Special electrical version (US), 110V/60Hz\*

## Article no. ID:

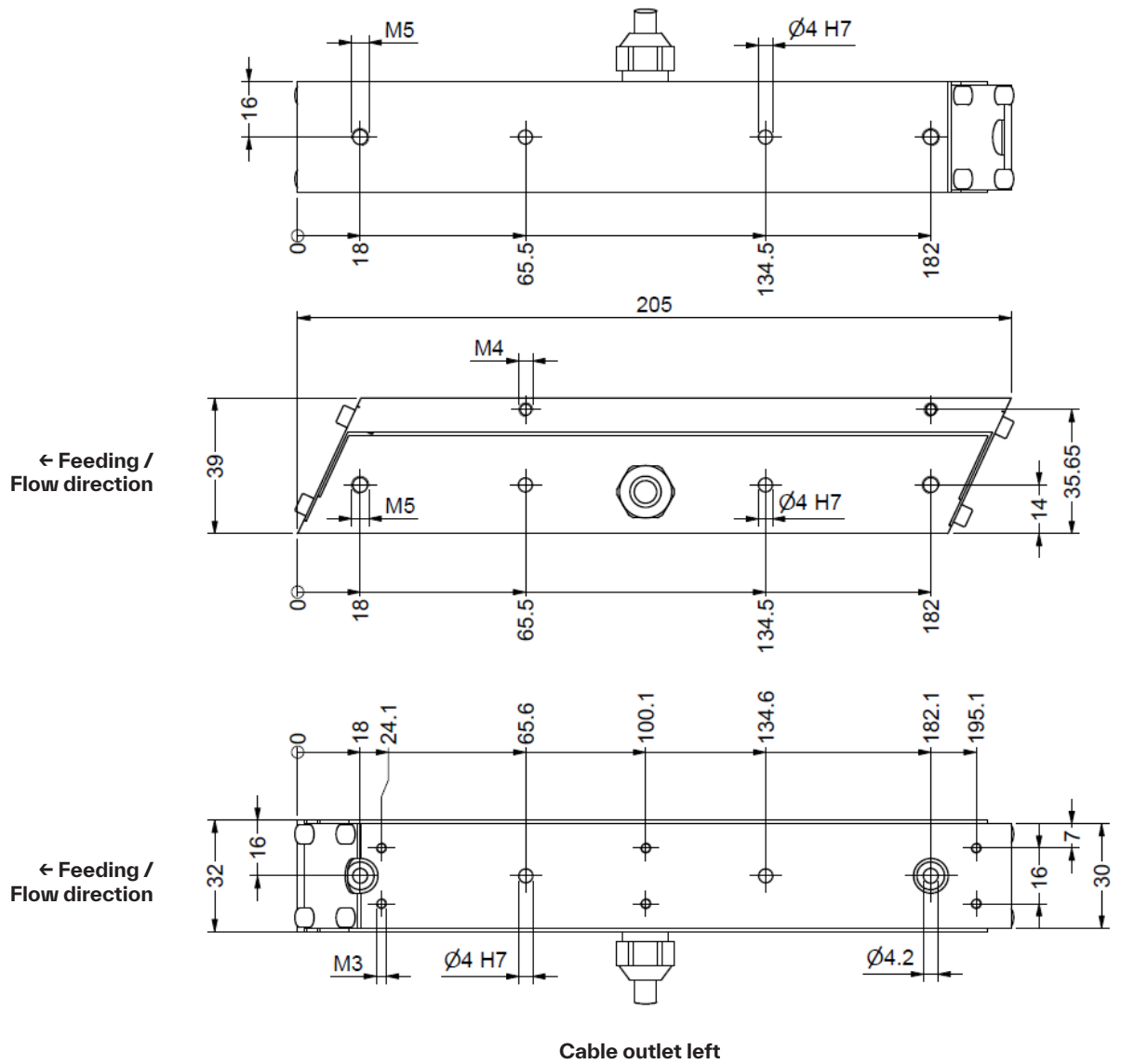
LVC	-	30	-	070	-	F1	L/R/U
							L: Cable outlet left R: Cable outlet right U: Cable outlet under
						Typ: F1	
						Lenght: 070 / 185mm	
						Width: 30mm	
LVC: Linear Vibratory Drives – Compact line							

**Dimensions:**  
**LVC-30-070-F1**



Article no. ID	Cable side ← Viewed in conveying direction	Useful weight for linear rail and cover (incl. parts)
LVC-30-070-F1L	Cable outlet left	Max. 0.45 kg
LVC-30-070-F1R	Cable outlet right	Max. 0.45 kg

**Dimensions:  
HOV-30-185-F1**



Article no. ID	Cable side ← Viewed in conveying direction	Useful weight for linear rail and cover (incl. parts)
LVC-30-185-F1L	Cable outlet left	0.90 kg
LVC-30-185-F1R	Cable outlet right	0.90 kg
LVC-30-185-F1U	Cable outlet left	0.90 kg