

## Feeder Disentangler for Springs, Typ 1, Standard « FDS-F1»



FDS-460-F1-CW



### The advantages of our product:

- Standard design with quick release on top
- Equipment suitable for spring size Ø2 to Ø15mm
- Innovative and patented spring disentangling system with very high efficiency
- A compact module with various integrated functions; feeding, disentangling, sorting and trouble-free transport to the discharge rail.
- Conveying capacity from 50 to 70pcs/min.
- Conveying direction: clockwise (CW) or counterclockwise (CCW)

### Key data:

- Equipment diameter: from 360 to 460 mm
- Electrical connection: 230V/50Hz
- Special versions 110V/60Hz on request

## Technical specifications:

Features for standard design	Typ	FDS-F1					
	Unit	360	410	460			
Weight	Kg	40.0	60.0	60.0			
Payload max.	Kg	2.5	3.5	5.0			
Current absorbed	A	2.50	2.50	2.50			
Number of motors (without belt)	Pcs	1	1	1			
Number of motors (with belt)	Pcs	3	4	4			
Noise emission	dB	< 80					
Electr. version (CH+EU)	V / HZ	230V / 50Hz					
Electr. version (US)*	V / HZ	110V / 60Hz					
Temperature ambient	°C	+10 bis +45					
Protection class	IP	40					

## Options and accessories:

- Vibration drive controller
- Motor controller and circuit breaker for spring isolator
- Additional quick discharge at the bottom
- Hopper system with level monitoring
- Functional feeding module with sorting, linear rail, and separation system
- Special electrical version (US), 110V/60Hz\*
- Complete module with measure unit and/or handling system (available on request)

Article no. ID:

FDS	-	460	-	F1	CW / CCW
-----	---	-----	---	----	----------

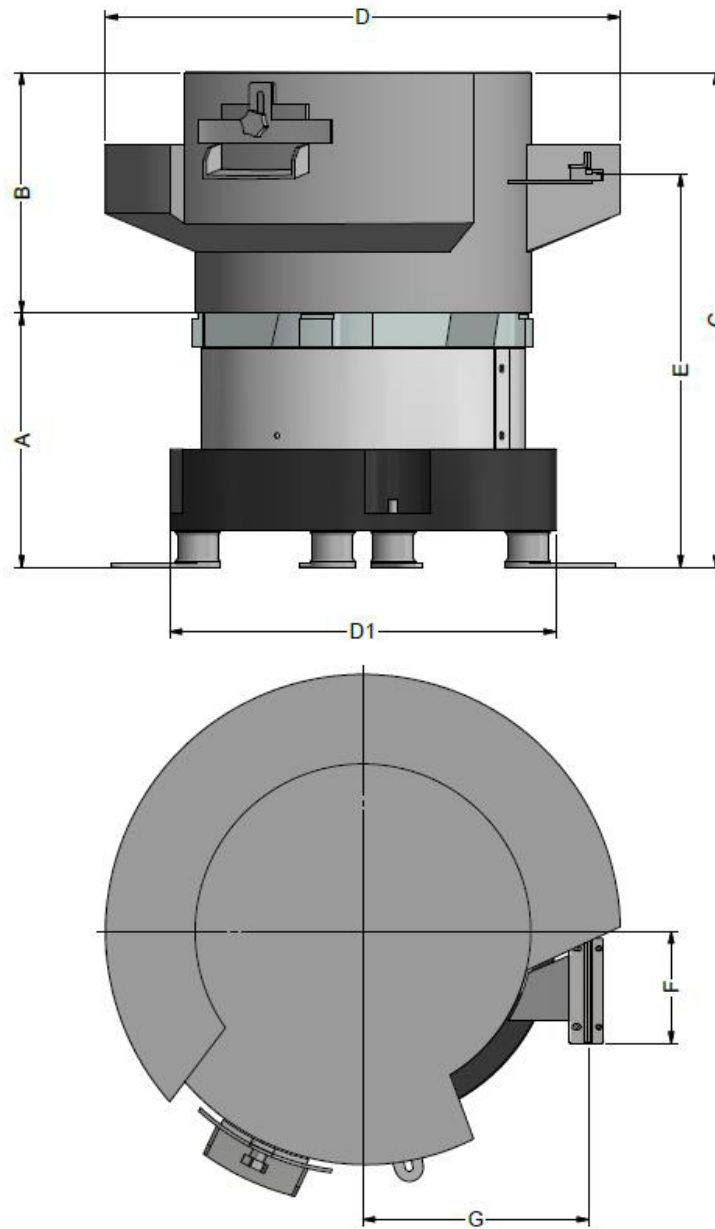
CW: Clockwise  
CCW: Counter-Clockwise

Typ: Standard F1 / Compact F2

Size: Outer diameter (mm), 360 / 410 / 460mm

FDS: Feeder Disentangler for Springs

**Dimensions,  
Typ 1:**



Article no. ID	Combination with CVP	Rotation direction	Dimensions (in mm)							
			A	B	C	D	D1	E	F	G
FDS-460-F1-CW	CVP-300-F3-CW	CW	228	215	445	460	345	350	100	205
FDS-460-F1-CCW	CVP-300-F3-CCW	CCW								
FDS-410-F1-CW	CVP-300-F3-CW	CW	125	95	220	275	65	178	75	123
FDS-410-F1-CCW	CVP-300-F3-CCW	CCW								
FDS-360-F1-CW	CVP-250-F2-CW	CW	105	75	180	225	50	138	60	98
FDS-360-F1-CCW	CVP-250-F2-CCW	CCW								

CW: clockwise, CCW: counterclockwise

## Feeder Disentangler for Springs, Typ 2, Compact « FDS-F2»



FDS-225-F2-CW



### The advantages of our product:

- Compact design with quick discharge at the top
- Equipment suitable for spring size  $\varnothing 0.8$  to  $\varnothing 3$ mm
- Innovative and patented spring disentangling system with very high efficiency
- A compact module with various integrated functions; feeding, disentangling, sorting and trouble-free transport up to the discharge rail.
- Conveying capacity from 15 to 40pcs/min. depending on spring wire diameter
- Conveying direction: clockwise (CW) or counterclockwise (CCW)

### Key data:

- Equipment Diameter: from 225 to 325 mm
- Electrical connection: 230V/50Hz
- Special versions 110V/60Hz on request

## Technical specifications:

Features for standard design	Typ	FDS-F2					
	Unit	225	275	325			
Weight	Kg	16.0	22.0	28.0			
Payload max.	Kg	1.0	1.5	2.0			
Current absorbed	A	0.80	1.00	1.20			
Number of motors (without belt)	Pcs	1	1	1			
Number of motors (with belt)	Pcs	2	3	3			
Noise emission	dB	< 75					
Electr. version (CH+EU)	V / HZ	230V / 50Hz					
Electr. version (US)*	V / HZ	110V / 60Hz					
Temperature ambient	°C	+10 bis +45					
Protection class	IP	40					

## Options and accessories:

- Vibration drive controller
- Motor controller and circuit breaker for spring isolator
- Hopper system with level monitoring
- Functional feeding module with sorting, linear rail, and separation system
- Special electrical version (US), 110V/60Hz\*
- Complete module with measure unit and/or handling system (available on request)

## Article no. ID:

FDS	-	225	-	F2	CW / CCW
-----	---	-----	---	----	----------

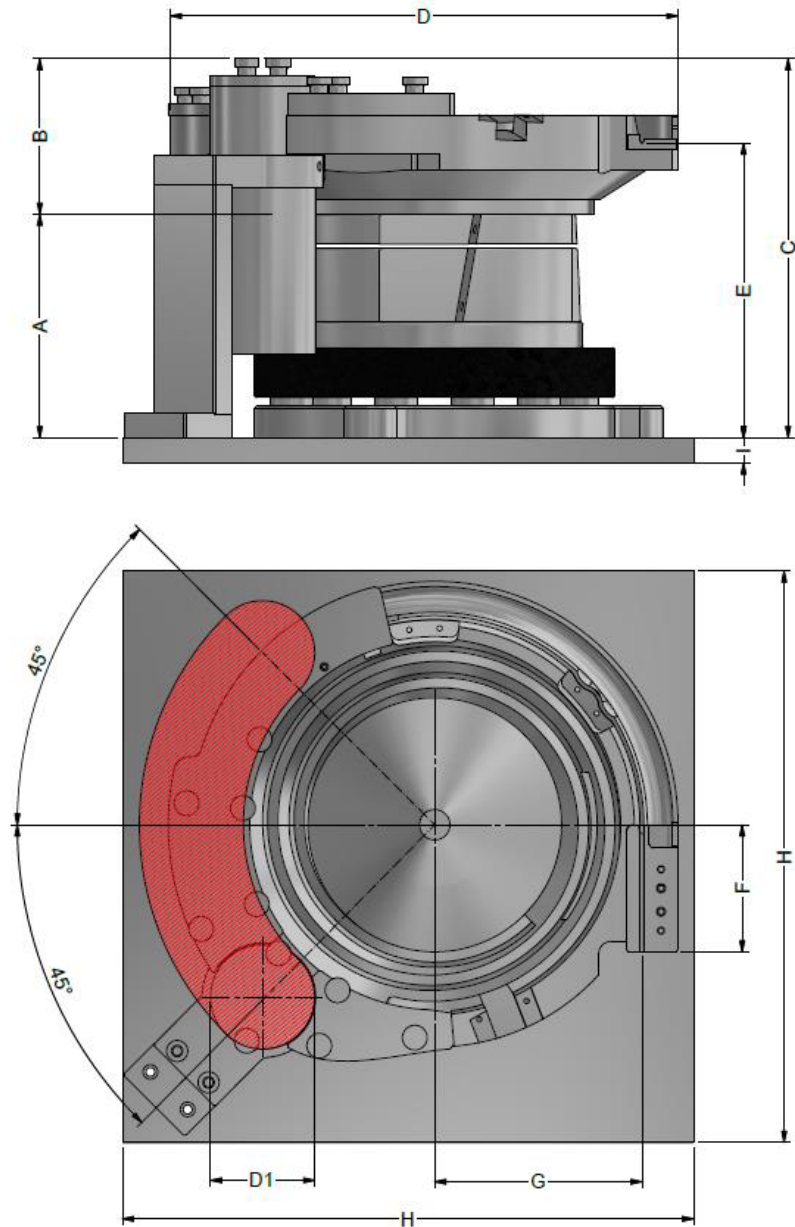
CW: Clockwise  
CCW: Counter-Clockwise

Typ: Standard F1 / Compact F2

Size: Outer diameter (mm), 225 / 275 / 325mm

FDS: Feeder Disentangler for Springs

**Dimensions,  
Typ 2:**



Article no. ID	Combination with CVP/CVC	Rotation direction	Dimensions (in mm)									
			A	B	C	D	D1	E	F	G	H	I
FDS-325-F2-CW	CVP-200/CVC-250	CW	185	105	105	325	75	255	90	148	380	12
FDS-325-F2-CCW	CVP-200/CVC-250	CCW										
FDS-275-F2-CW	CVP-170/CVC-200	CW	125	95	220	275	65	178	75	123	330	12
FDS-275-F2-CCW	CVP-170/CVC-200	CCW										
FDS-225-F2-CW	CVP-140/CVC-150	CW	105	75	180	225	50	138	60	98	280	12
FDS-225-F2-CCW	CVP-140/CVC-150	CCW										

CW: clockwise, CCW: counterclockwise